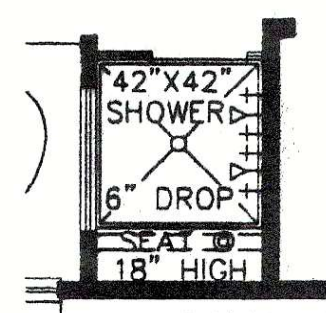


OPTIONAL OUTDOOR GRILLING AREA

SCALE: 1/8" = 1'-0"

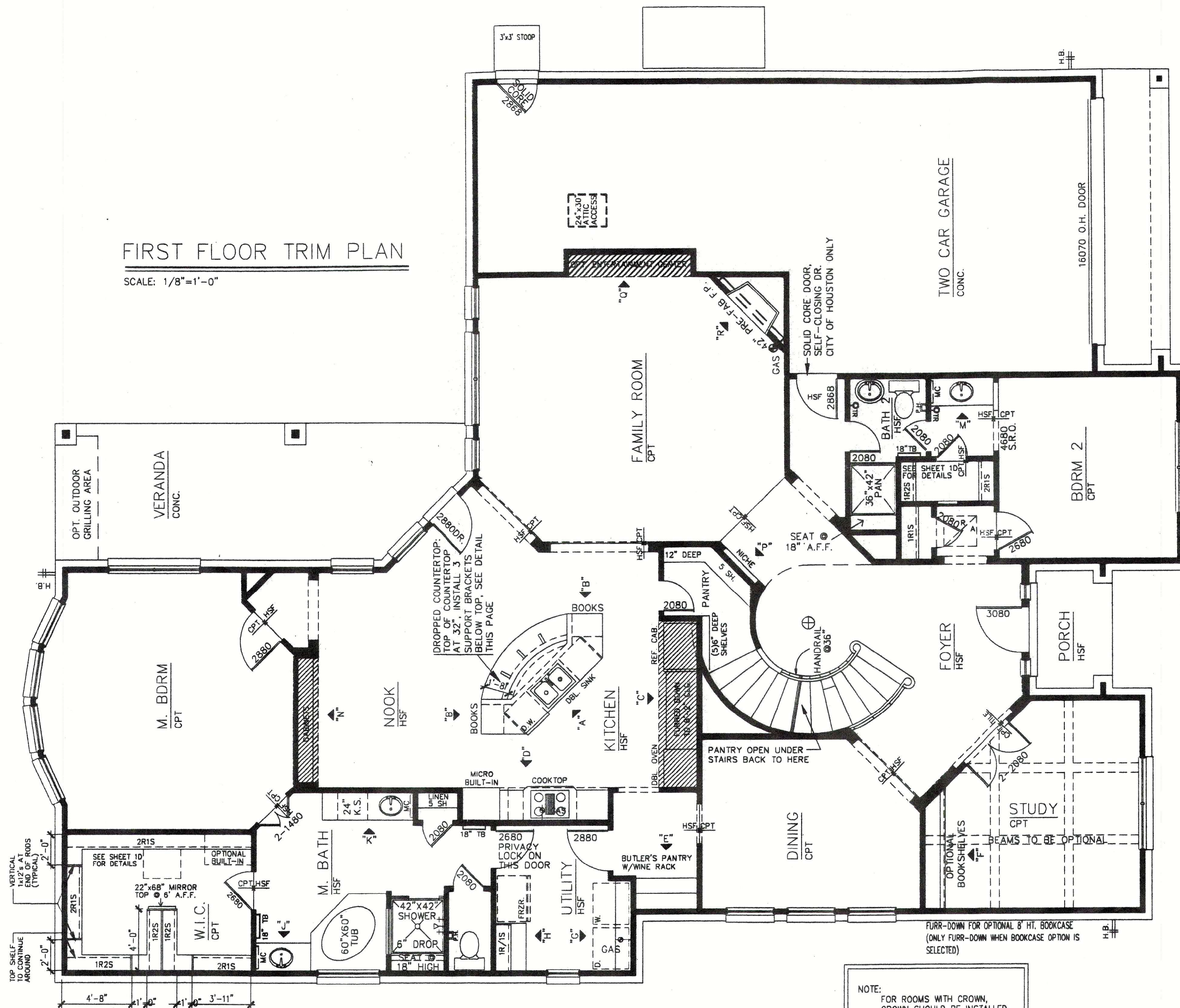


MASTER SHOWER W/ OPT SHOWER HEAD

SCALE: 1/8" = 1'-0"

FIRST FLOOR TRIM PLAN

SCALE: 1/8" = 1'-0"



NOTE:  
FOR ROOMS WITH CROWN,  
CROWN SHOULD BE INSTALLED  
AT TOP OF WALL AND IN  
ANY COFFERED CEILING AREAS.

NOTE: ALL SHEETROCK CORNERS ON THE 1ST AND  
2ND FLOOR TO BE ROUNDED, EXCEPT FOR  
THOSE AT THE WINDOWS

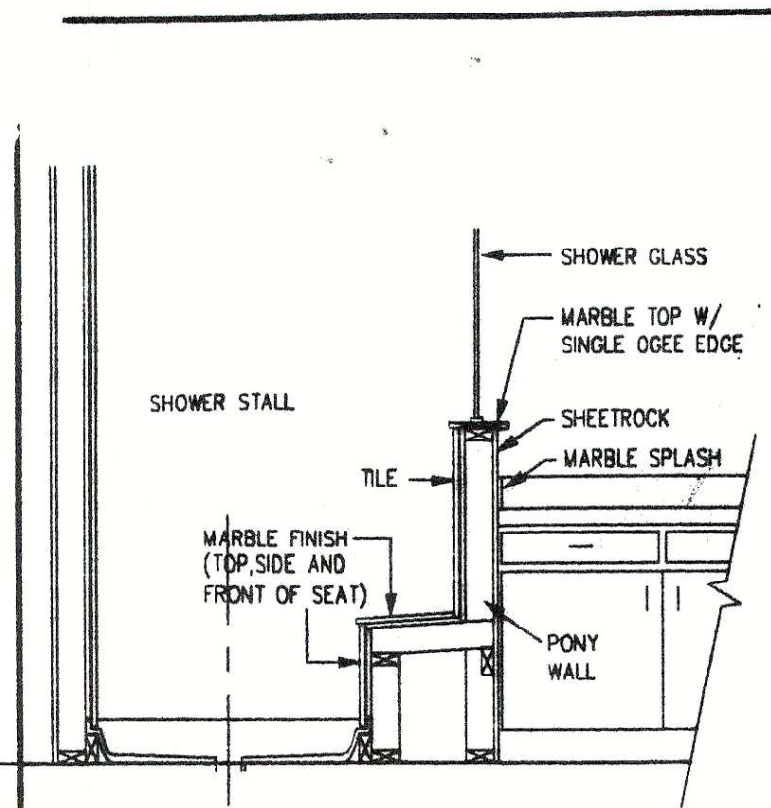
CASING - OPTION PACKAGE INCLUDES ARCHWAYS,  
NICHES DOWNSTAIRS AND SOME UPSTAIRS  
"PER PLAN"  
WINDOW CASING-OPTION PACKAGE DOWNSTAIRS ONLY

Bridgeland Hidden Creek Classic  
4497547219 7/2/19  
18810 Luby Creek Drive  
3855 E R

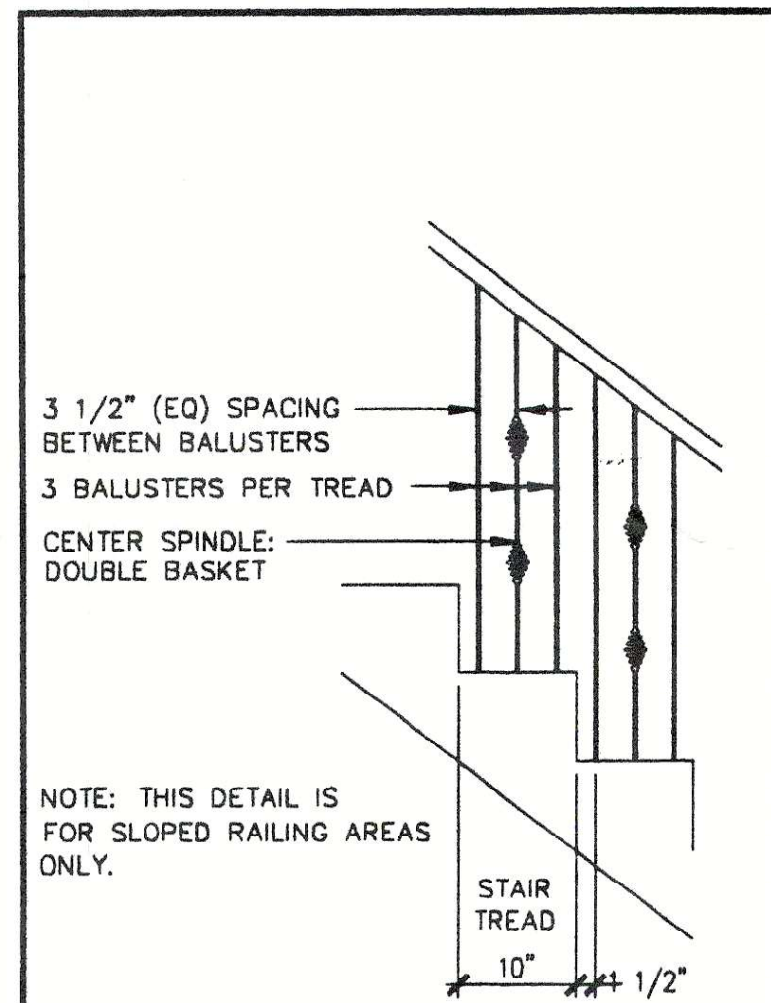
1ST FLOOR  
TRIM / FINISH-OUT

ORIGINAL DATE:	26 OCT 07
PLAN NAME	CHOPIN
PLAN SERIES	CLASSICS
PLAN No.	3855
SHEET	2.3

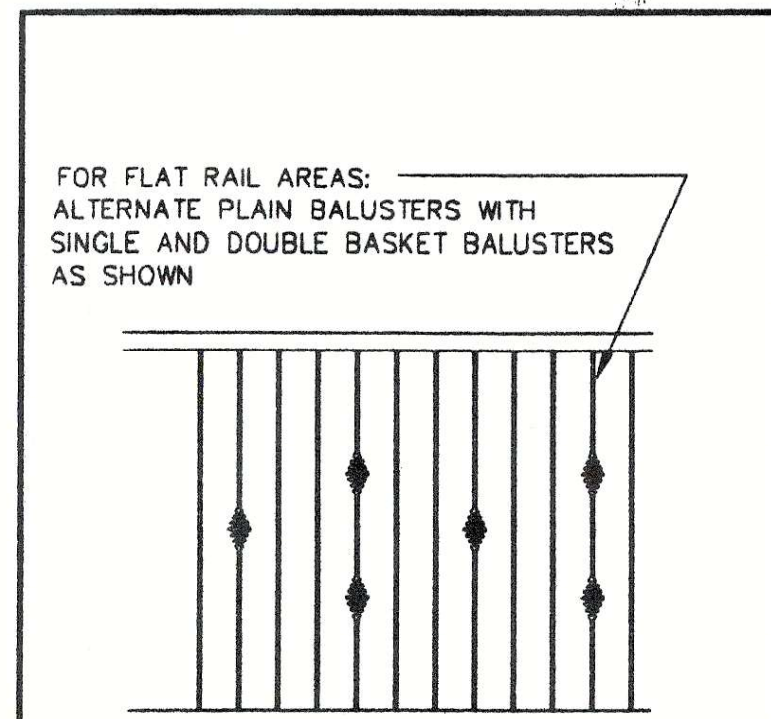




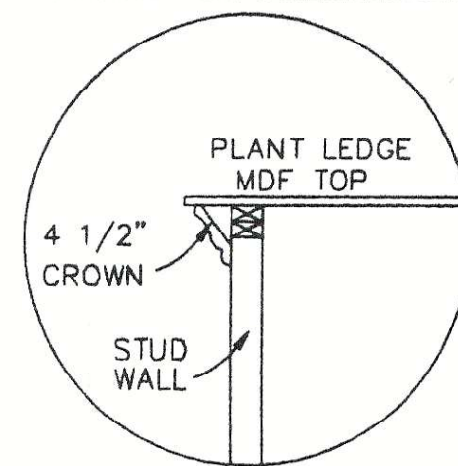
MASTER BATH SHOWER PONY WALL WITH SHOWER SEAT  
NOT TO SCALE



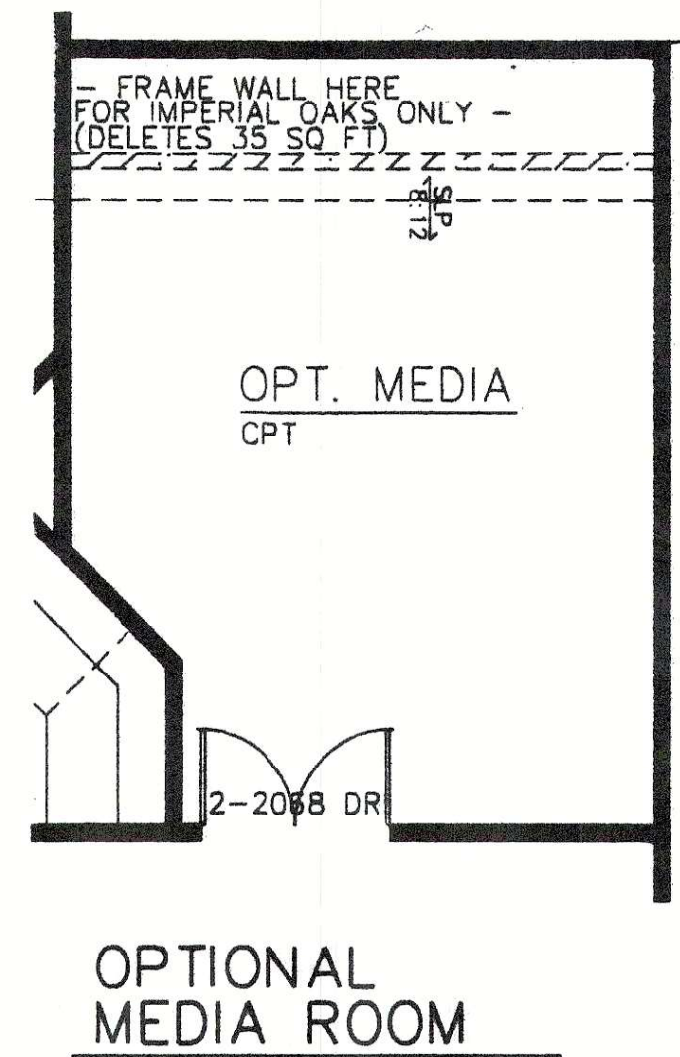
OPTIONAL IRON BALUSTER RAILING DETAIL FOR SLOPED RAILING AREAS  
NOT TO SCALE



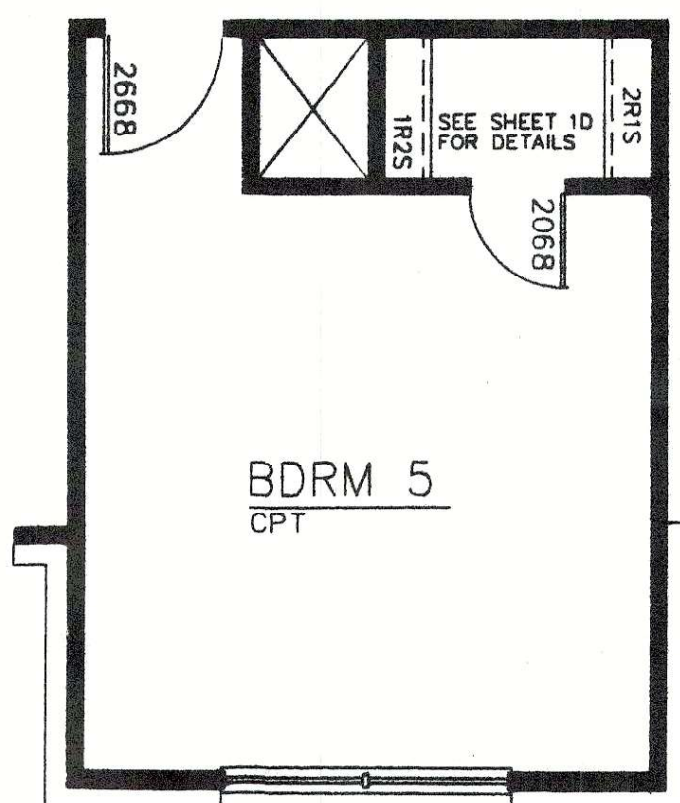
OPTIONAL IRON BALUSTER RAILING DETAIL FOR FLAT RAILING AREAS  
NOT TO SCALE



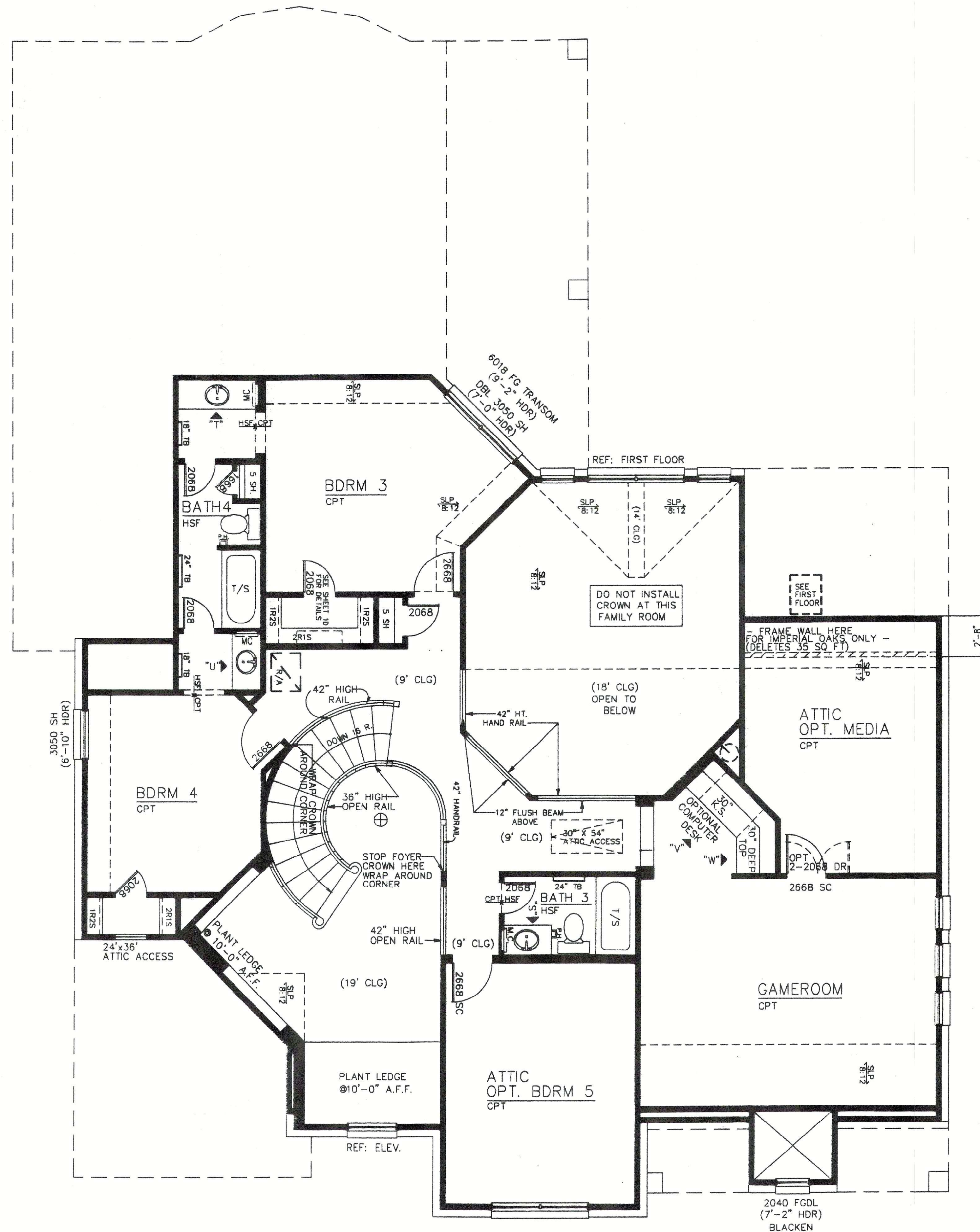
FOYER PLANT SHELF DETAIL  
SCALE: 1/2"=1'-0"



OPTIONAL MEDIA ROOM



OPTIONAL BEDROOM 5



VILLAGE BUILDERS  
Quality. Value. Integrity.

Bridgeland Hidden Creek Classic  
4497547219 7/2/19  
18810 Luby Creek Drive  
3855 E R

ORIGINAL DATE:	26 OCT 07
PLAN NAME	CHOPIN
PLAN SERIES	CLASSICS
PLAN No.	3855
SHEET	2.4