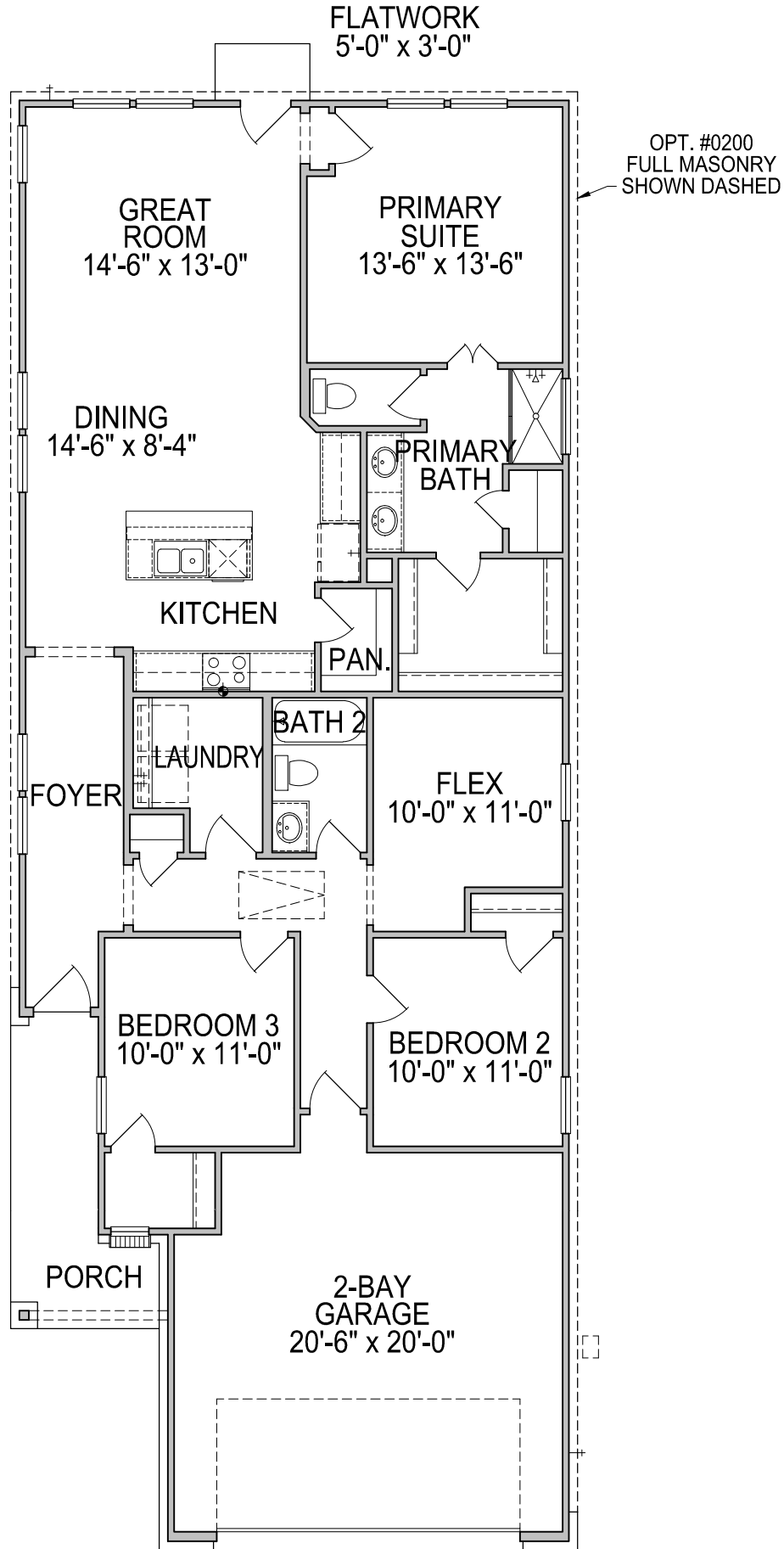


McKinney

1,601 SQ.FT | 3 BEDROOM | 2 BATH | 2 BAY GARAGE

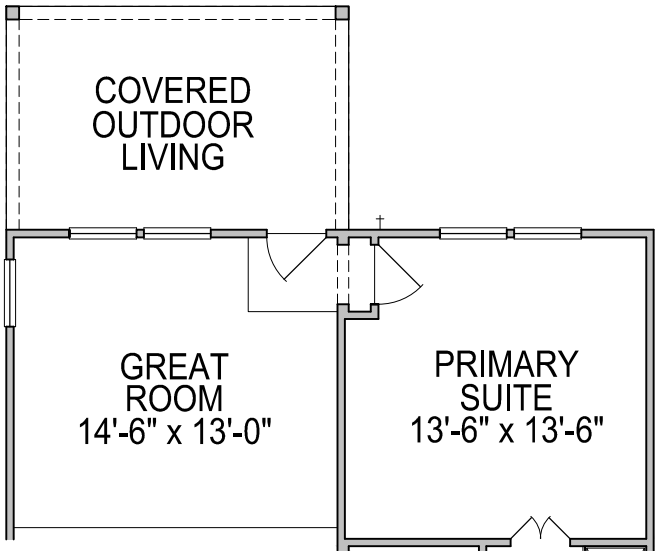


FIRST FLOOR PLAN

McKinney

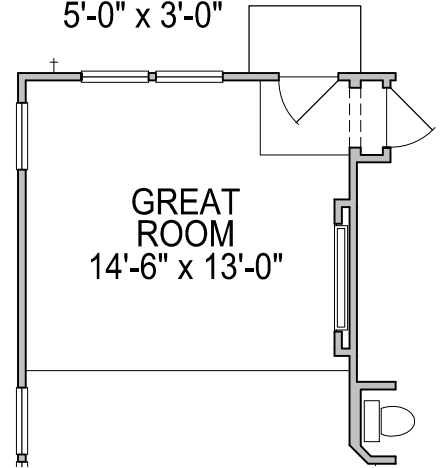
1,601 SQ.FT | 3 BEDROOM | 2 BATH | 2 BAY GARAGE

Plan Options

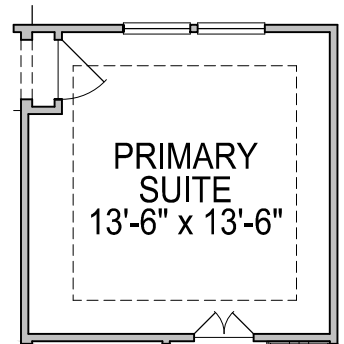


**FIRST FLOOR PLAN
OPT. #0105
COVERED OUTDOOR LIVING**

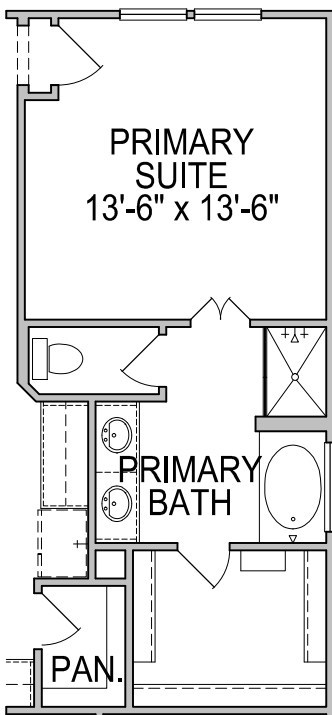
FLATWORK
5'-0" x 3'-0"



**FIRST FLOOR PLAN
OPT. #0160
ELECTRIC FIREPLACE**

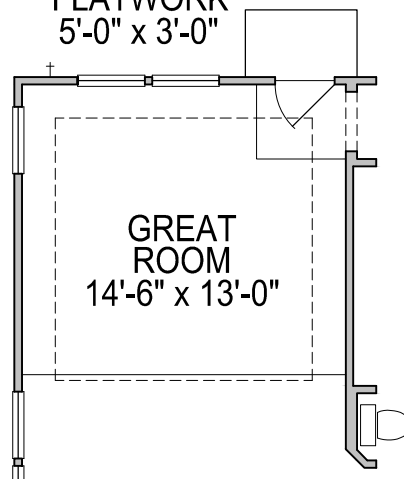


**FIRST FLOOR PLAN
OPT. #0668
PRIMARY SUITE COFFER**

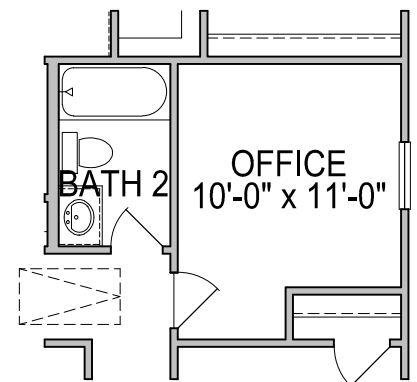


**FIRST FLOOR PLAN
OPT. #0751
PRIMARY SUITE TUB**

FLATWORK
5'-0" x 3'-0"



**FIRST FLOOR PLAN
OPT. #0714
GREAT ROOM COFFER**



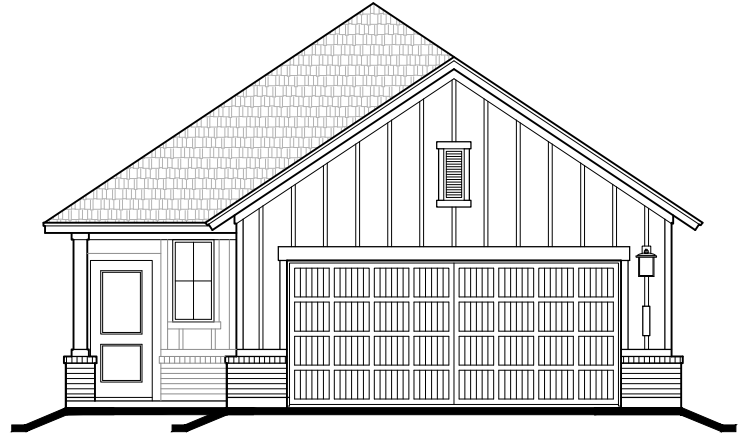
**FIRST FLOOR PLAN
OPT. #0569 OFFICE
FROM FLEX**

McKinney

1,601 SQ.FT | 3 BEDROOM | 2 BATH | 2 BAY GARAGE



EXTERIOR STYLE A



EXTERIOR STYLE B



EXTERIOR STYLE C



EXTERIOR STYLE F