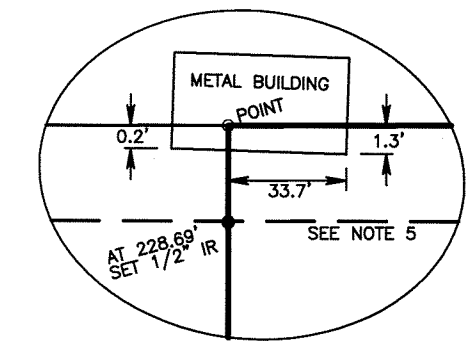


NOTES:

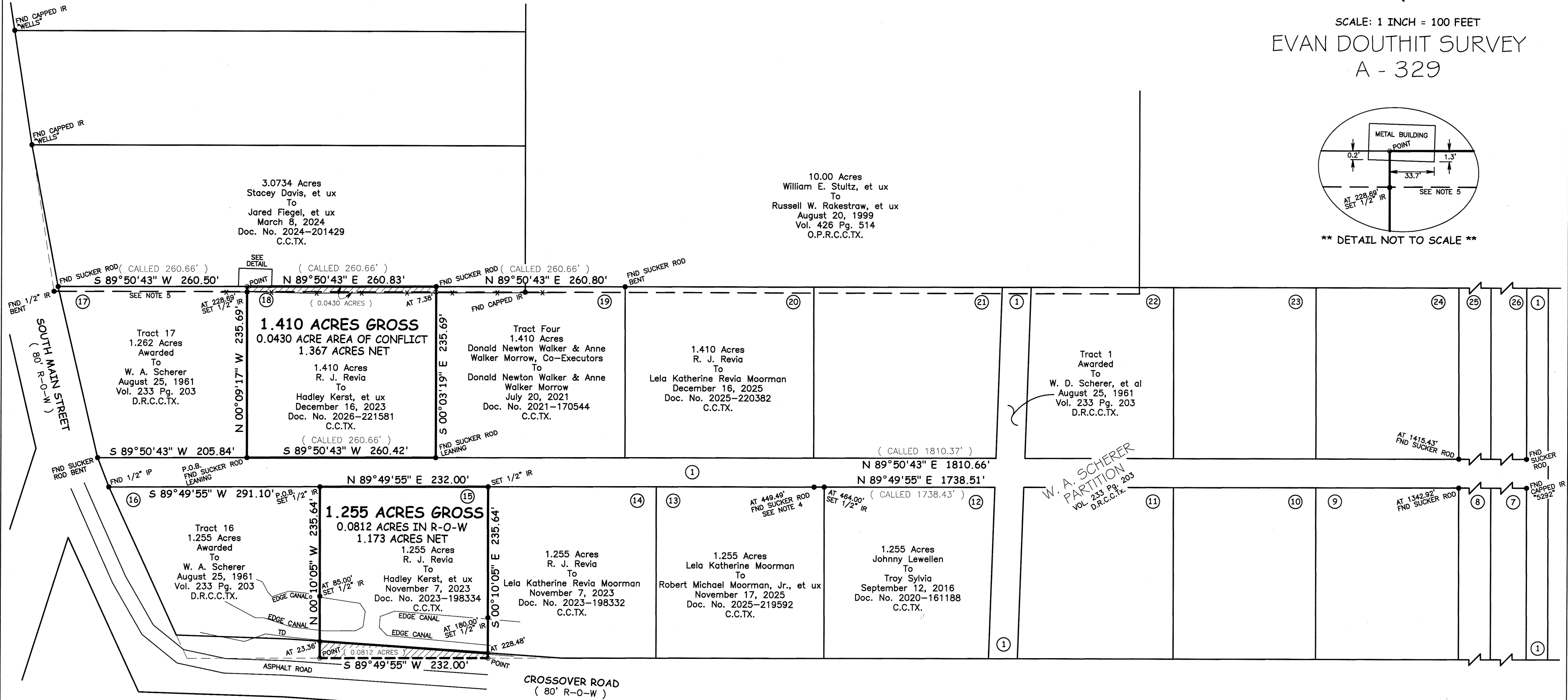
1. BEARINGS ARE BASED ON THE TEXAS COORDINATE SYSTEM OF 1983, SOUTH CENTRAL ZONE. ALL DISTANCES ARE ACTUAL DISTANCES. TO CONVERT TO GRID DISTANCES MULTIPLY BY THE SCALE FACTOR OF 0.99988558. REFERENCE IS MADE TO METES AND BOUNDS DESCRIPTION OF EVEN DATE ACCOMPANYING THIS PLAT.
2. THIS PROPERTY IS LOCATED IN ZONE "X" SHADED ACCORDING TO F.I.R.M. COMMUNITY PANEL No. 480119 0385 E, DATED MAY 4, 2015.
3. ALL 1/2 INCH IRON RODS SET HEREON ARE IDENTIFIED WITH A PLASTIC CAP STAMPED "CHAMBERSSURVEYING".
4. THE SUCKER ROD FOUND IS CONSISTANT WITH OTHER SUCKER RODS FOUND THROUGHOUT THE W. A. SCHERER PARTITION, MAPPED AND MONUMENTED BY J. M. FULLBRIGHT RPLS 1045. THE AFORESAID SUCKER ROD IS LOCATED AT THE SAME STATION DISTANCE FROM THE EAST RIGHT OF WAY LINE OF SOUTH MAIN STREET AS THE SOUTHEAST CORNER OF TRACT 20 AND THE SOUTHWEST CORNER OF TRACT 21.
5. THIS IS THE MONUMENTED SOUTH LINE OF 3.0734 ACRES CONVEYED IN DOC. NO. 2024-201429 OF C.C.TX.



SCALE: 1 INCH = 100 FEET  
 EVAN DOUTHIT SURVEY  
 A - 329

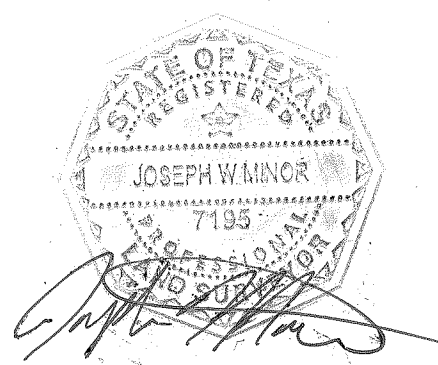


\*\* DETAIL NOT TO SCALE \*\*



I, JOSEPH W. MINOR, REGISTERED PROFESSIONAL LAND SURVEYOR NO. 7195, do hereby certify that this plat delineates the results of a survey made on the ground under my supervision February 23 - 26, & March 2, 2026; and that all lines, boundaries, and landmarks are accurately shown hereon.

WITNESS my hand and seal at MONT BELVIEU, TEXAS, this the 5th day of March, A. D., 2026.



LEGEND

①	= PARTITION TRACT NO.
TD	= TOP OF DITCH
FND	= FOUND
*	= BARBWIRE FENCE

**CHAMBERS SURVEYING & MAPPING**  
 P. O. BOX 1272 MONT BELVIEU, TEXAS 77580  
 PHONE: 281-576-6788 EMAIL: CHAMBERSSURVEYING@AOL.COM FIRM REG. NO. 100127-00

DRWN BY:	LOT	SECTION	SUBMISSION:
JWM	N/A	N/A	N/A
CHKD BY:	BLOCK	COUNTY	SURVEY:
CKC	N/A	CHAMBERS	EVAN DOUTHIT SURVEY, A - 329
DATE:	JOB No.:	ADDRESS:	
3/2/26	26-5576		
	GF No.:	SURVEY FOR:	BLYTHE REVIA